

CREATIVE TENT SOLUTIONS

Industrial Pop-Up Tents & Umbrellas for Weather Protection



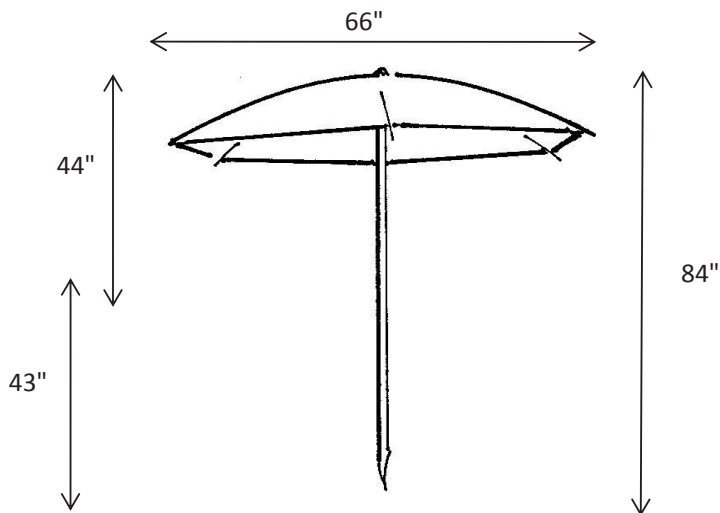
POP'N'WORK - 6684M

POP'N'WORK UMBRELLAS HAVE HEAVY DUTY FRAMES THAT CAN WITHSTAND STRONG WINDS. TOUGH YELLOW VINYL COVERS.

FEATURES

- ◆ SIX PANEL UMBRELLA WITH A TWO PIECE POINTED POLE
- ◆ 25 DEGREE TILT POLE
- ◆ STANDARD COLOR IS YELLOW. OTHER COLORS AVAILABLE
- ◆ WEIGHT: 10LBS
- ◆ DIMENSIONS: 59" X 5" X 5"

SPECIFICATIONS - 66" SQUARE



COVER

- ◆ 100Z YELLOW VINYL LAMINATE FABRIC
- ◆ FLAME RETARDANT TO MEET CPAI-84
- ◆ UV TREATED, WATER PROOF AND ROT RESISTANT

FRAME

- ◆ TWO PIECE ALUMINUM POLE WITH STEEL SPREADERS AND RIBS